



# M 450 Transport Platforms

## Single mast configurations

Technical Data		TPM 1600S	TPM 1300SD
<b>Capacity</b>			
Platform length	m	1,6	<b>1,6</b>
Platform Width	m	1,6	<b>3,2</b>
Max Payload capacity	kg	1600	<b>1300</b>
Number of people		5*	<b>5*</b>
Speed	m/min	12	<b>12</b>
First Anchor position	m	3	<b>3</b>
Max lifting height tied	m	200	<b>200</b>
Tie distance	m	8 - 10	<b>8 - 10</b>

\* Depending on local standards

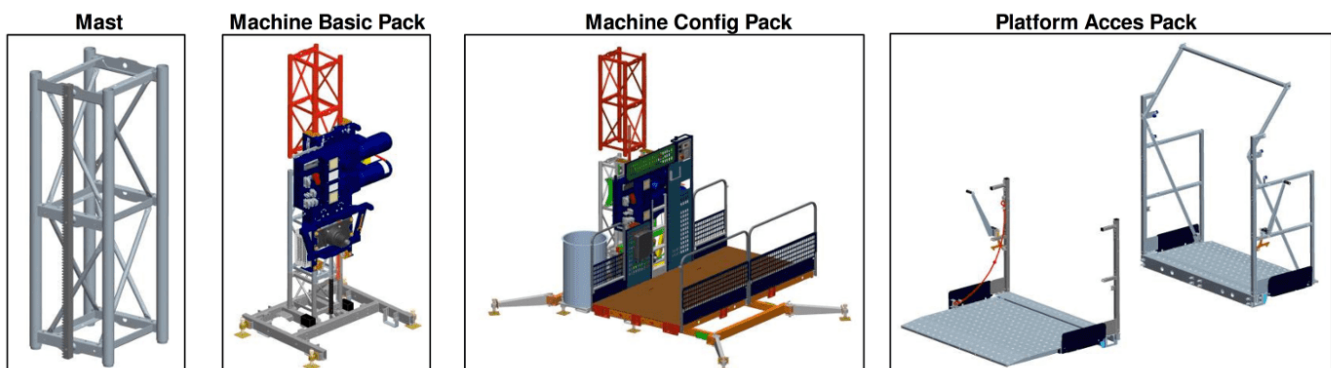
<b>Dimensions and weights</b>			
Lowest transport height	mm	2,2	<b>2,2</b>
Height to platform	mm	0,5	<b>0,5</b>
1.5m mast section (SQ450x450)	kg	75	<b>75</b>
Groundframe weight incl outriggers	kg	415	<b>415</b>
Drive unit weight	kg	700	<b>700</b>

<b>Electrical Data Transport Platform</b>			
Rated power	kW	2 x 5,5	<b>2 x 5,5</b>
Voltage	V / Hz	400	<b>400</b>
Control Voltage Frequency	Hz	50 - 60	<b>50 - 60</b>
Power supply fuses	A	25	<b>25</b>
Power Cable	xmm2	5 x 6	<b>5 x 6</b>

<b>Electrical Data Material Hoist</b>			
Power supply fuses	A	32	<b>32</b>
Power Cable	xmm2	5x6 + 10x1	<b>5x6 + 10x1</b>

<b>Optional equipment</b>	<b>Safety equipment</b>
Bridges 1.6m or 3.2m, height 0.6 or 1.1	Overload Sensing Device
Gates 1.6m or 3.2m	AlimakHek safety device
Self-carrying ramps 1.6m or 3.2m	Unique self leveling device
	PLC, VFC, Encoder
	Possibility to lower platform at power failure

### Composing this configuration:

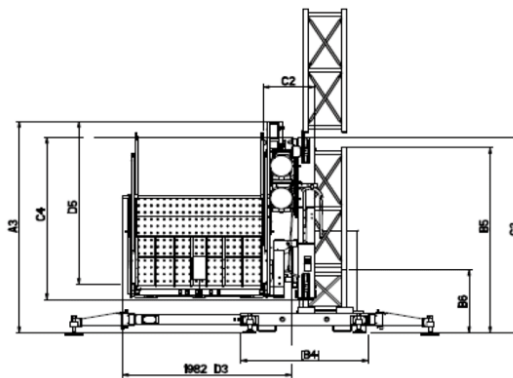
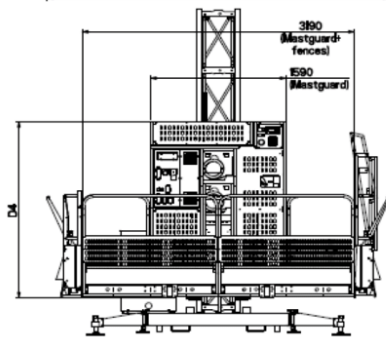
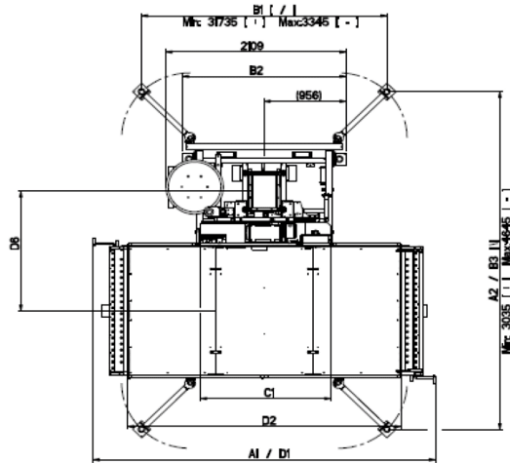


**TPM 1300SD**



# M 450 Transport Platforms

## TPM 1300SD



	Code	1300SD	1600S
Max. machine length (m)	A1	4.01	2.41
Max. machine width (m)	A2	4.34 (3.04-4.65)	2.91
Max. machine height (m)	A3	2.50-2.64	2.50-2.64
Max. base frame length (m)	B1	2.87 (1.74-3.35)	2.11
Base frame length excl. cable storage (m)	B2	1.91	1.91
Max. base frame width (m)	B3	4.14 (3.04-4.65)	2.91
Max. base frame width excl. extension (m)	B4	1.50	1.50
Max. base frame height incl. 1 mast (m)	B5	2.29-2.33	2.29-2.33
Base frame height incl. base mast (m)	B6	0.78-0.82	0.78-0.82
Max. DU length (m)	C1	1.52	1.52
Max DU width incl. gear (m)	C2	0.6	0.6
Max. DU height - incl. base frame (m)	C3	2.31-2.45	2.01
Max. DU height (m)	C4	2.01	2.01
Max. platform length incl. PA (m)	D1	4.01	2
Platform length (m)	D2	3.2	1.6
Maximum platform width incl. PA, adaptor, fence (m)	D3	1.98	1.98
Maximum platform height incl. PA, adaptor, fence (m)	D4	2.18	2.18
Maximum platform width incl. PA, adaptor, fence (m)	D5	2.01	2.01
Center to center (m)	D6	1.475	1.475

